

Bock Selection Tool VAP

New in version **VAP 11.12.0**

BOCK

colour the world
of tomorrow

NEW: HGX12e CO₂ LT – Subcritical CO₂ Compressor

HGX CO₂ LT subcritical (100bar/100bar)

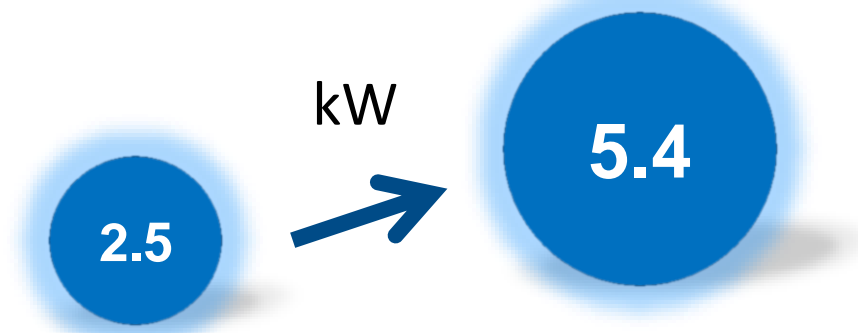


Subcritical **CO₂ LT** range, version ML, S for LT (Low Temperature) applications:

Pressure Design: LP/HP: **100/100 bar**

Extension of the already existing series HGX24e CO₂ LT

| Type HGX12e CO ₂ LT | m ³ /h (50 Hz) |
|-------------------------------------|---------------------------|
| HGX12e/20-4 ML/S CO ₂ LT | 1.7 |
| HGX12e/30-4 ML/S CO ₂ LT | 2.8 |
| HGX12e/40-4 ML/S CO ₂ LT | 3.5 |



LT Cooling Capacity

$t_o/t_c/t_{oh} = -35^{\circ}\text{C}/-5^{\circ}\text{C}/10\text{K}/50\text{Hz}$

Semi-hermetic condensing units: New condenser fans

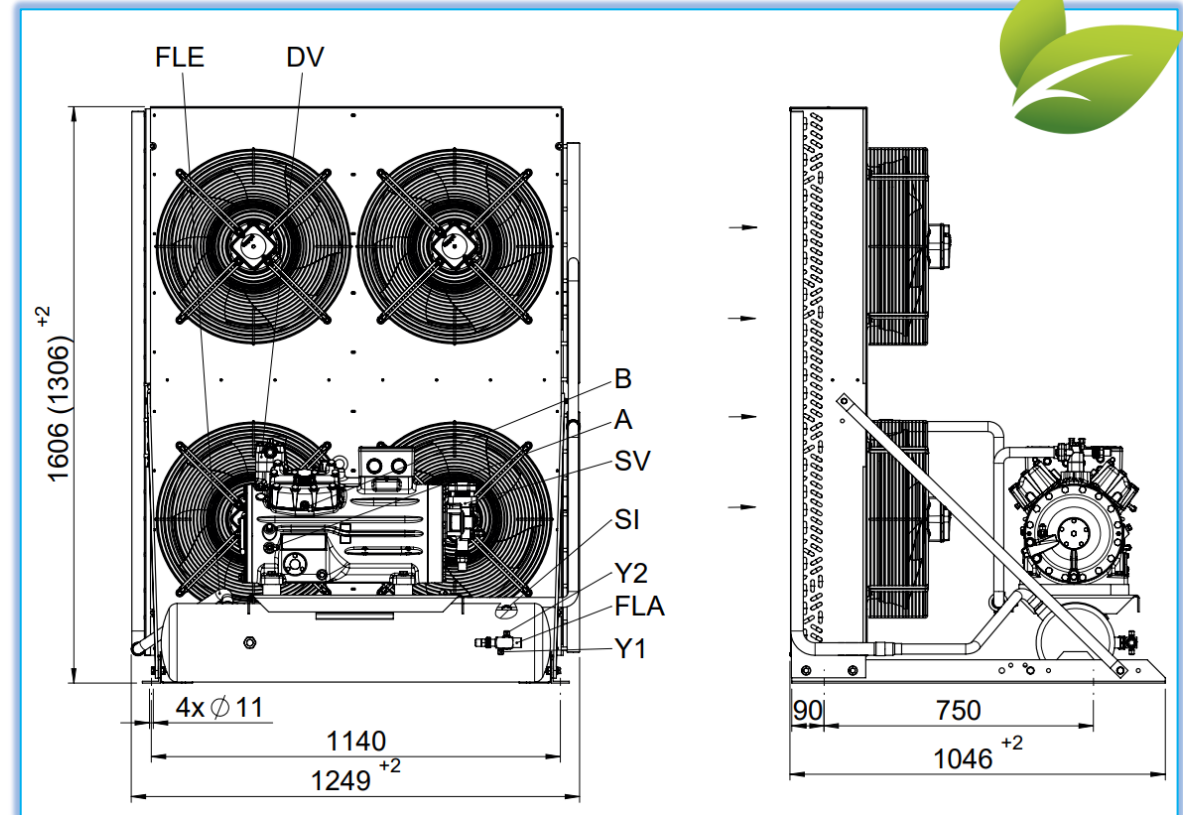
SHG-L, SHA-L & SHGZ7-L

- **Update of dimensional drawings** of condensing units SHG/SHA34-66-L und SHZ7 to version with *design key as of DK 076*

(Dimensional drawings SHG/SHA12P+22e-L were already updated)

- **Background of update:**

- **Conversion of condenser fans** of the 1-stage [SHG-L](#) and [SHA-L](#), as well as the 2-stage [SHGZ-L](#) air-cooled condensing units to **high-efficiency AC fans** in the course of adaptation to the ErP regulation
- The previously used fans of diameters 420, 450 and 500 were replaced by a uniform fan of **diameter 450**
- The new Bock condensing units, adapted to the highest eco-design requirements, receive a new *design code DK 076*
- Please note that the new (as of DK 076) and previous (up to DK 075) fans and heat exchangers are not interchangeable





BOCK colour the world
of tomorrow

BOCK

Bock GmbH . Benzstr. 7 . 72636 Frickenhausen . Germany . Tel +49 7022 9454-0 . Fax +49 7022 9454-137 . info@bock.de . bock.de