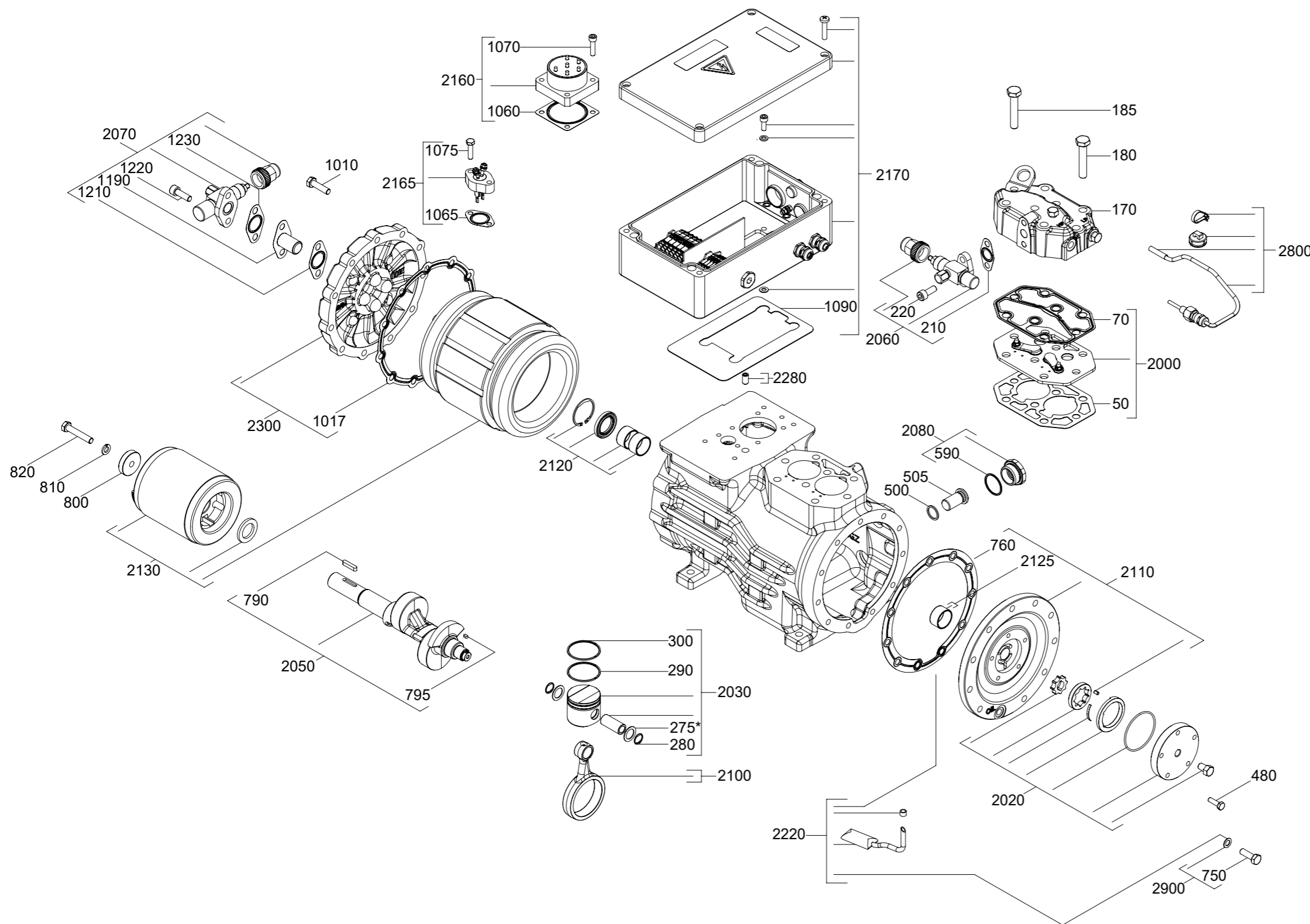


Zubehör / Accessories

Alle BOCK Zubehörbausätze sind für den Betrieb in Gerätekategorie 2 nach Richtlinie 94/9/EG zugelassen.

All BOCK accessory kits are approved for operation in device category 2 as per directive 94/9/EC.

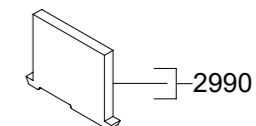
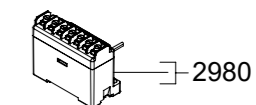


Schwingungsdämpfer
Anti-vibration pads

Ölsumpheizung incl. 3m Zuleitung
Oil sump heater incl. 3m input lead

Motorschutz für Schaltschrankbau
außerhalb des explosiven Bereiches.

motor protection to be fitted into the switchboard
beyond the explosive area.



*) Nur für EX-HG(X)12P/90-4 (S) +HC und EX-HG(X)12P/110-4 (S) +HC
Only for EX-HG(X)12P/90-4 (S) +HC and EX-HG(X)12P/110-4 (S) +HC

Halbhermetischer Verdichter EX-HG / Semi-hermetic compressor EX-HG

Typ / type	Teile-Nr. / part-no.	Typ / type	Teile-Nr. / part-no.	Typ / type	Teile-Nr. / part-no.	Typ / type	Teile-Nr. / part-no.	Typ / type	Teile-Nr. / part-no.	Typ / type	Teile-Nr. / part-no.
EX-HG12P/60-4 S	17001	EX-HG12P/90-4	17004	EX-HGX12P/60-4 S	17009	EX-HGX12P/90-4	17012	EX-HG12P/60-4 S HC	17158	EX-HG12P/90-4 HC	17161
EX-HG12P/75-4	17002	EX-HG12P/90-4 S	17005	EX-HGX12P/75-4	17010	EX-HGX12P/90-4 S	17013	EX-HG12P/75-4 HC	17159	EX-HG12P/90-4 S HC	17162
EX-HG12P/75-4 S	17003	EX-HG12P/110-4	17006	EX-HGX12P/75-4 S	17011	EX-HGX12P/110-4	17014	EX-HG12P/75-4 S HC	17160	EX-HG12P/110-4 HC	17163
		EX-HG12P/110-4 S	17007			EX-HGX12P/110-4 S	17015			EX-HG12P/110-4 S HC	17164



Zeichn.-Nr. / Drawing-no.:

1.0850-17007.0 0z

Stand / As of date: 02.23

BOCK[®]
colour the world of tomorrow

Doc-ID: 364802