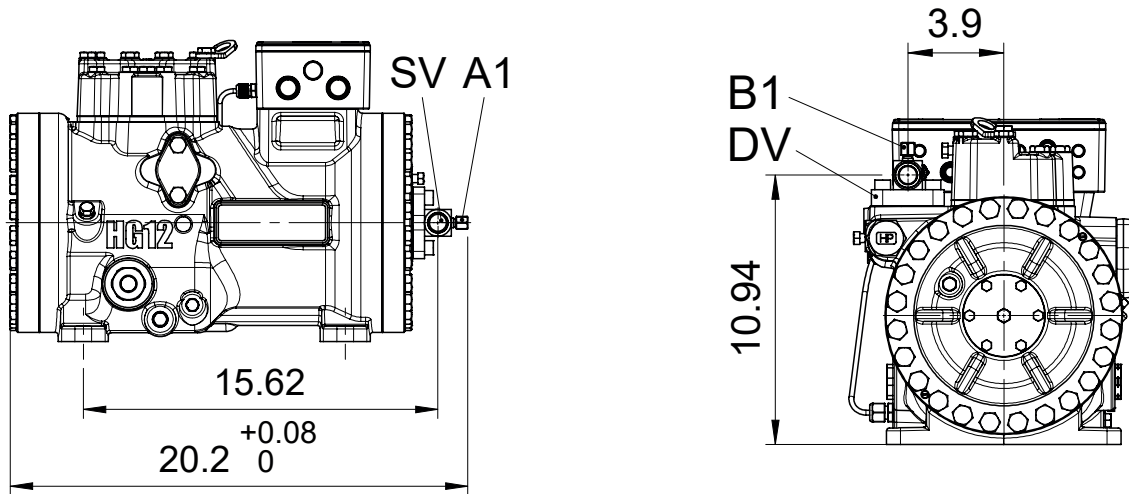


Subject to change without notice

Dimensions in inch

Dimensions and connections with shut-off valves



Dimensions accessories

