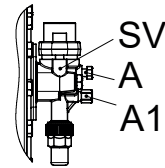


View HG(X)44e/475 (S) + 565



Dimensions in ( ) for HG(X)44e/475 (S) + 565 (HC + LG)

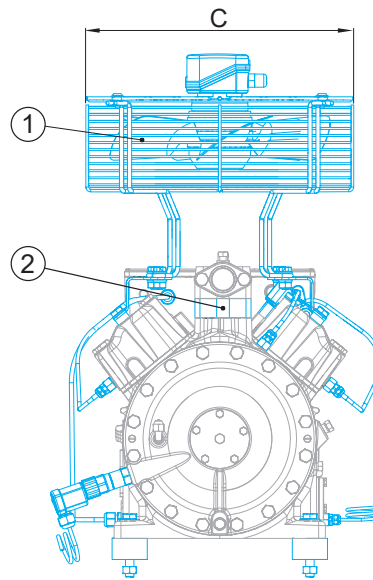
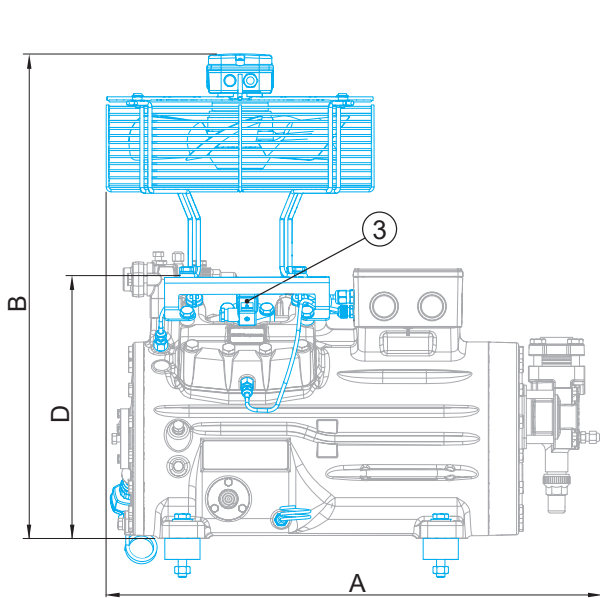
Dimensions with \* for HG(X)44e/565 S + 665 (S) + 770 (S) HC + LG

Center of gravity

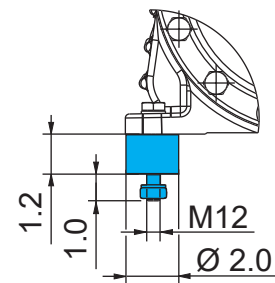
Subject to change without notice

Dimensions in inch

### Dimensions Accessories



Anti-vibration pads



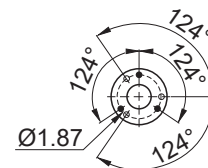
① Additional fan

② Intermediate adapter for discharge line valve

③ Capacity regulator

| Type  | A<br>inch  | B<br>inch  | C<br>inch  | D<br>inch |
|-------|------------|------------|------------|-----------|
| HG12P | approx. 18 | approx. 20 | approx. 12 | —         |
| HG22e | approx. 21 | approx. 24 | approx. 15 | —         |
| HG34e | approx. 23 | approx. 25 | approx. 15 | —         |
| HG44e | approx. 28 | approx. 27 | approx. 15 | 14        |
| HG56e | —          | approx. 28 | approx. 15 | —         |
| HG66e | approx. 32 | approx. 31 | approx. 15 | —         |

View X: Possibility of connection of oil level regulator



○ Three-hole connection for TRAXOIL (3xM6x10)

● Three-hole connection for ESK, AC+R, CARLY (3xM6x10)