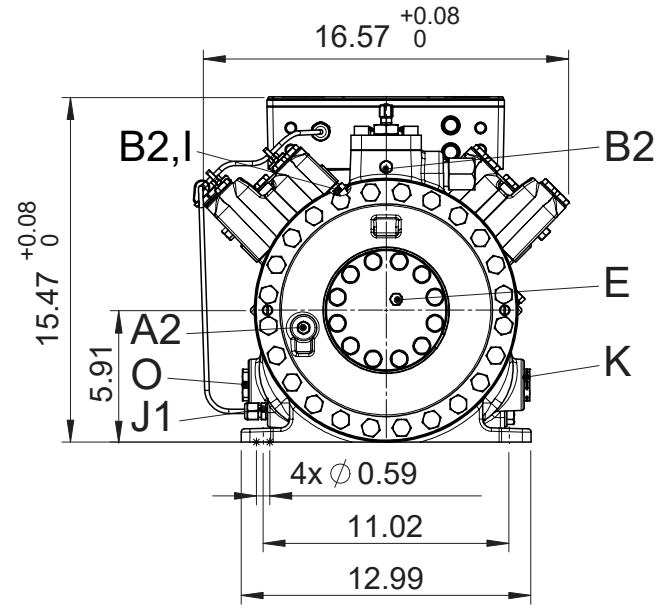
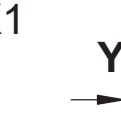
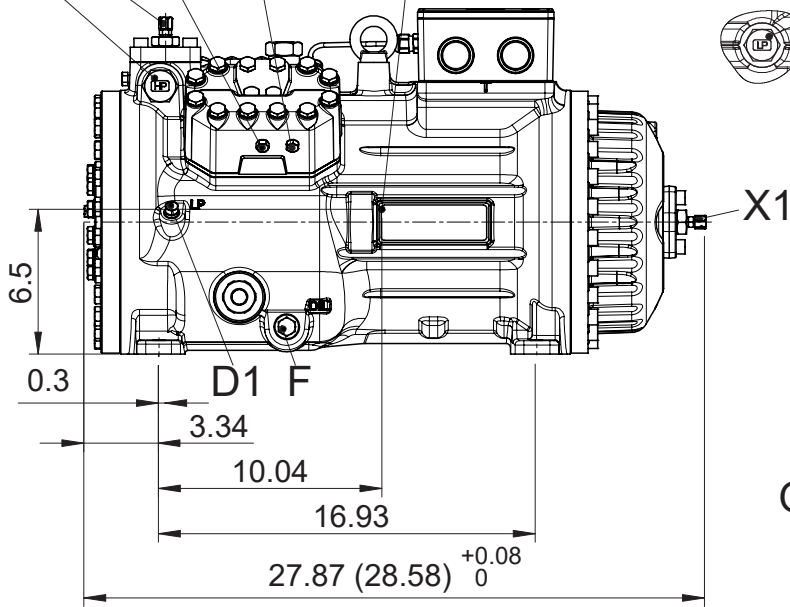


S11 X2 L/B2 B2 ↓ Z

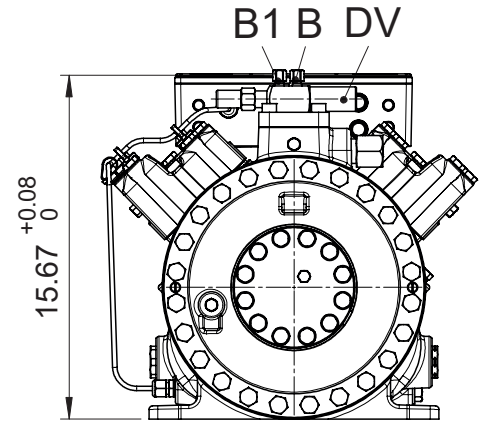
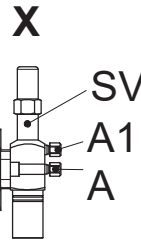
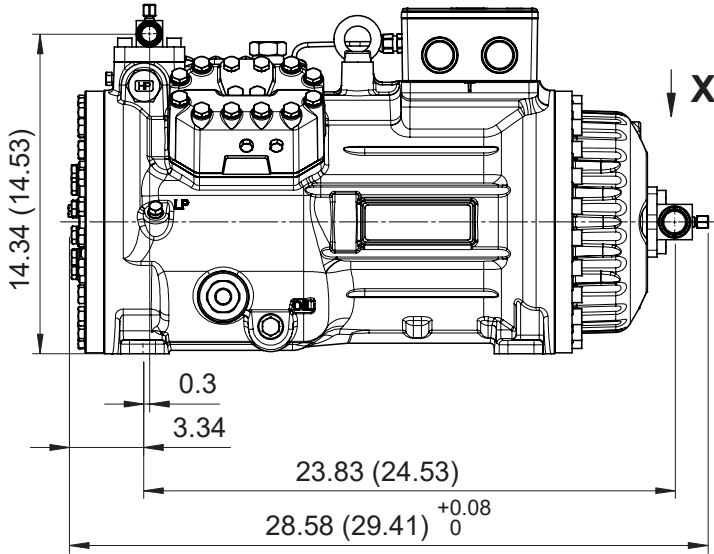


Center of gravity

Subject to change without notice

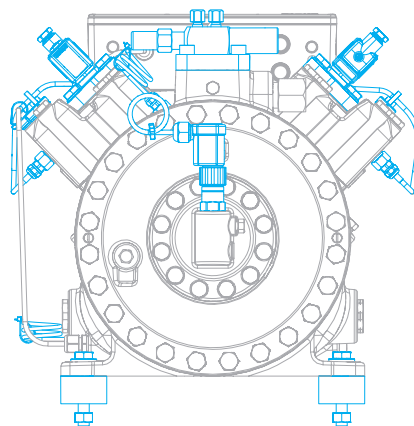
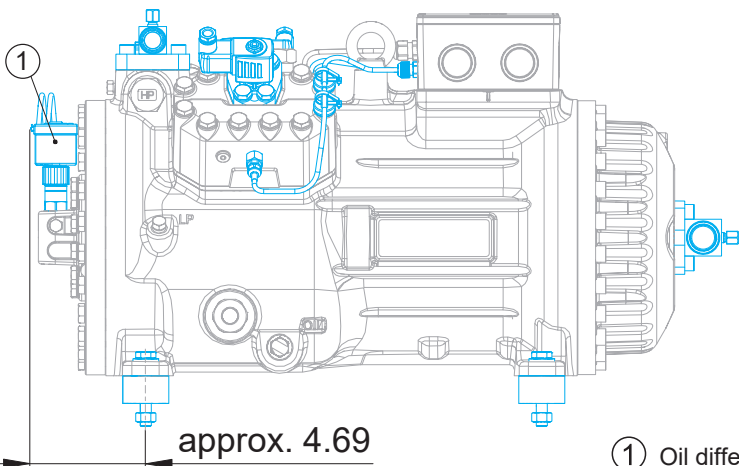
Dimensions in inch

Dimensions and connections with shut-off valves

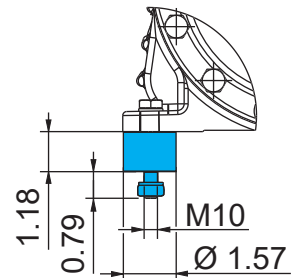


Dimensions in () for HGX34/290 ... CO2 T

Dimensions accessories



Anti-vibration pads



① Oil differential pressure sensor