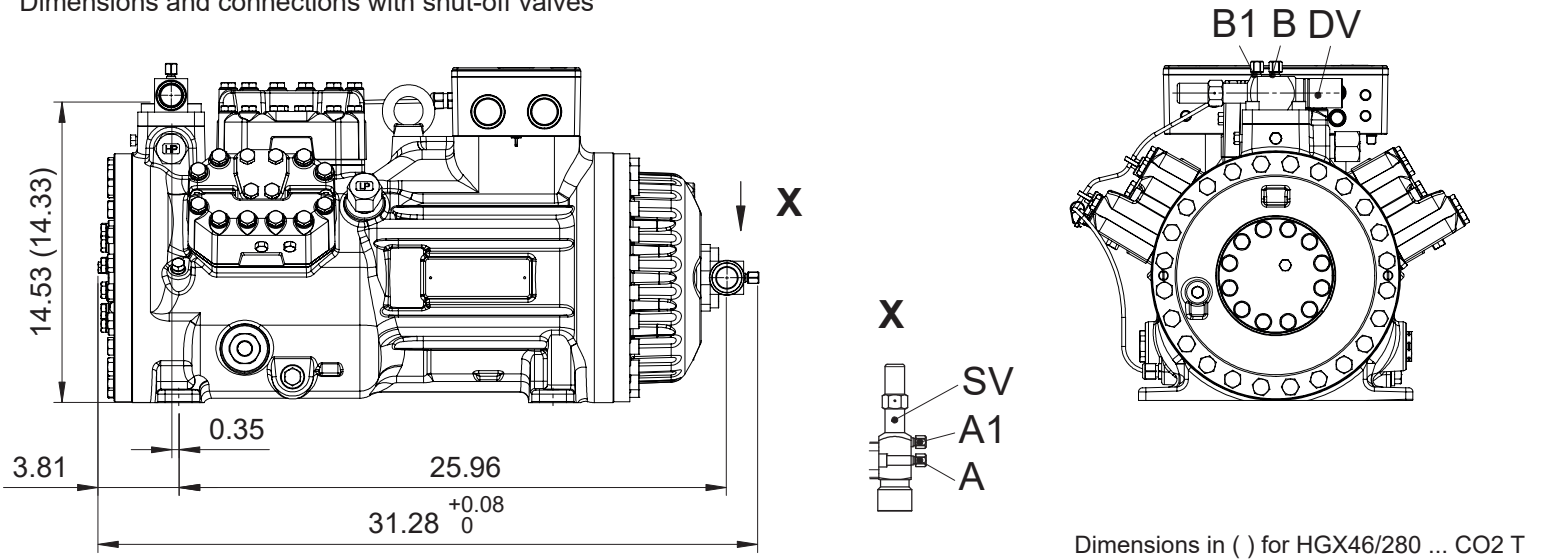


Dimensions and connections with shut-off valves



Dimensions accessories

