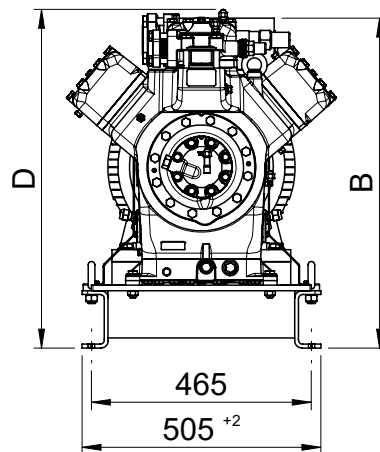
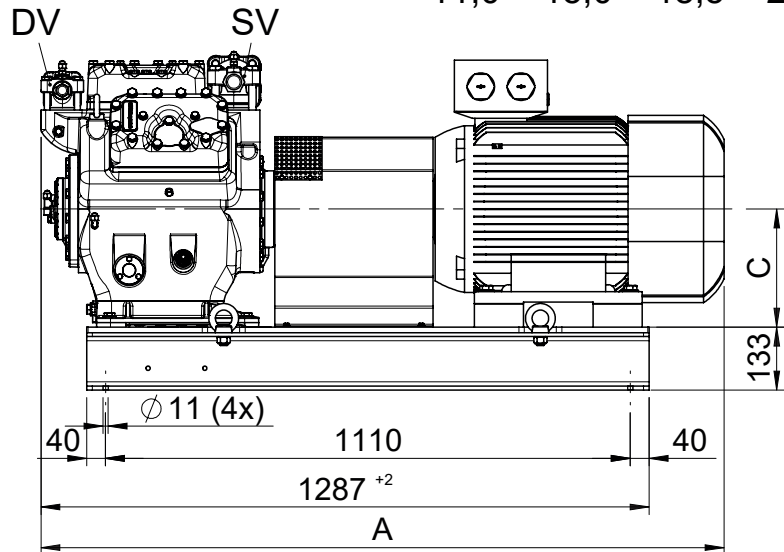
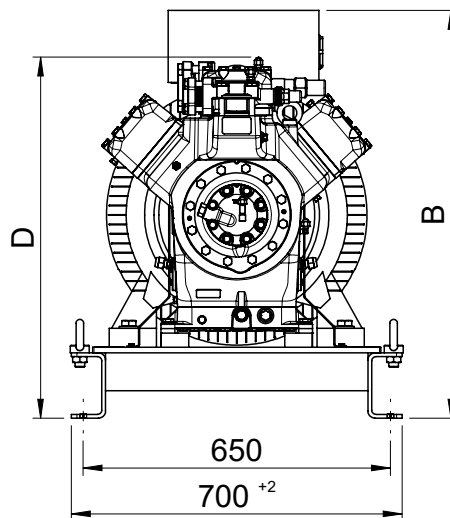
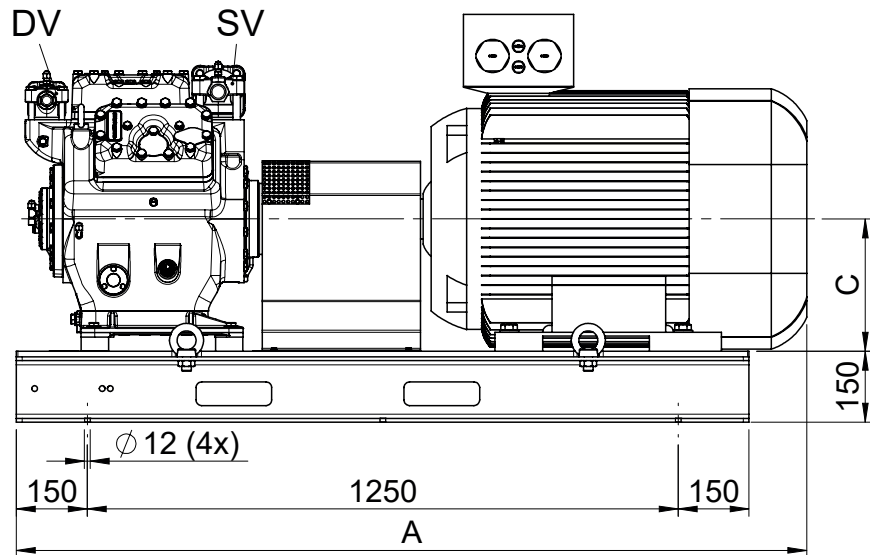


11,0 + 15,0 + 18,5 + 22,0 + 30,0 kW



37,0 + 45,0 + 55,0 + 75,0 kW

Maße in mm
Dimensions in mm



Motor Nennl. (kW) / power rating (kW)	Motor Baugröße nach DIN EN 50347 / motorsize acc. to DIN EN 50347	A	B	C	D
11,0	160M B3	1303 ⁺²	619 ⁺²	250	717 ⁺²
15,0	160L B3	1363 ⁺²	619 ⁺²	250	717 ⁺²
18,5	180M B3	1367 ⁺²	669 ⁺²	250	717 ⁺²
22,0	180L B3	1397 ⁺²	669 ⁺²	250	717 ⁺²
30,0	200L B3	1445 ⁺²	698 ⁺²	250	717 ⁺²
37,0	225S B3	1510 ⁺²	738 ⁺²	250	734 ⁺²
45,0	225M B3	1570 ⁺²	737 ⁺²	250	734 ⁺²
55,0	250M B3	1608 ⁺²	809 ⁺²	250	734 ⁺²
75,0	280S B3	1673 ⁺²	863 ⁺²	280	764 ⁺²