

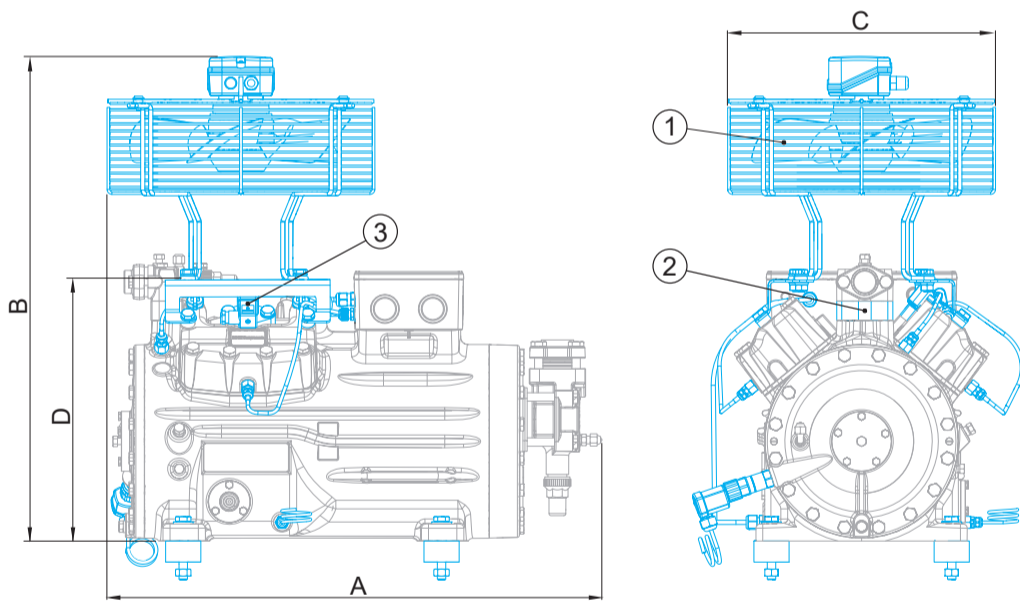
Dimensions in ( ) for HG66e HC+LG

Center of gravity

Dimensions in inch

Subject to change without notice

### Dimensions Accessories



- ① Additional fan
- ② Intermediate adapter for discharge line valve
- ③ Capacity regulator

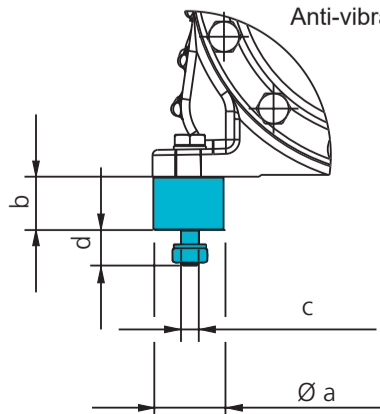
Type	A inch	B inch	C inch	D inch
HG12P	approx. 18	approx. 20	approx. 12	—
HG22e	approx. 21	approx. 24	approx. 15	—
HG34e	approx. 23	approx. 25	approx. 15	—
HG44e	approx. 28	approx. 27	approx. 15	approx. 14
HG56e	—	approx. 28	approx. 15	—
HG66e	approx. 32	approx. 31	approx. 15	—

View X: Possibility of connection of oil level regulator



- Three-hole connection for TRAXOIL (3xM6x10)
- Three-hole connection for ESK, AC+R, CARLY (3xM6x10)

### Anti-vibration pads



Type	Øa inch	b inch	c inch	d inch
HG12P	1.2	1.2	M8	0.8
HG22e	1.6	1.2	M10	0.8
HG34e	1.6	1.2	M10	0.8
HG44e	2.0	1.2	M12	1.0
HG56e	2.0	1.2	M12	1.0
HG66e	2.0	1.2	M12	1.0
HG88e	2.8	1.8	M12	1.5